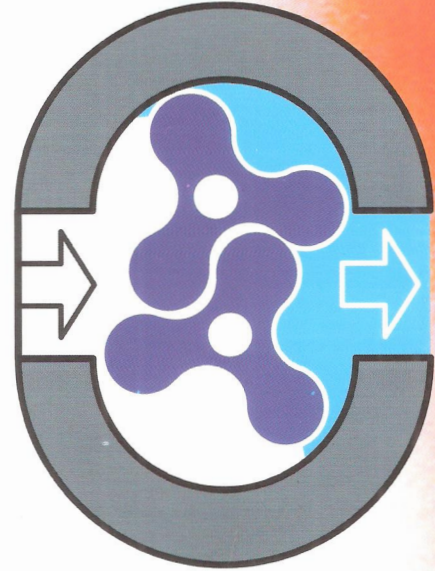


# **LONGTECH**

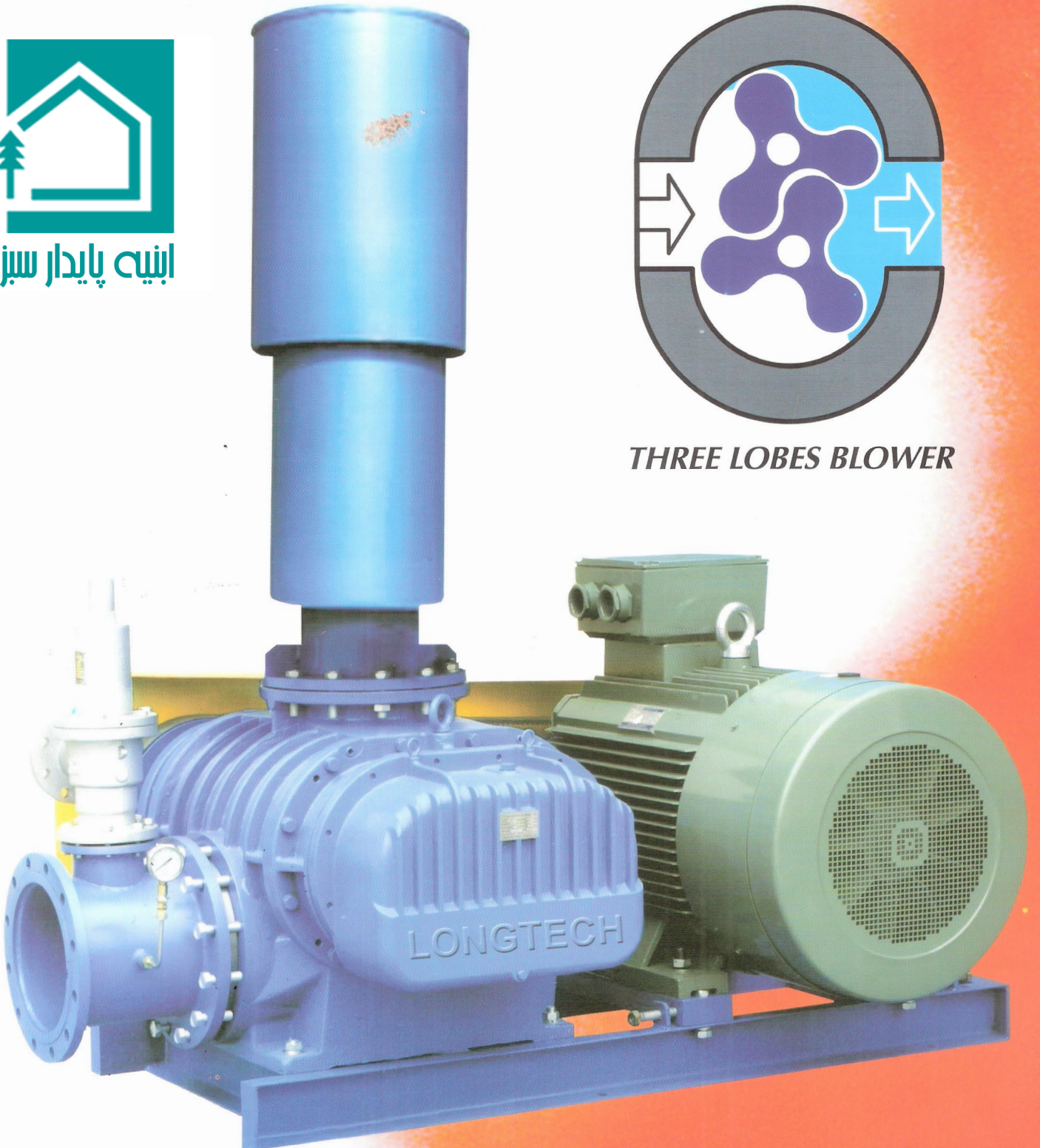
**ROOTS BLOWER**



انجمن پایدار سبز



**THREE LOBES BLOWER**

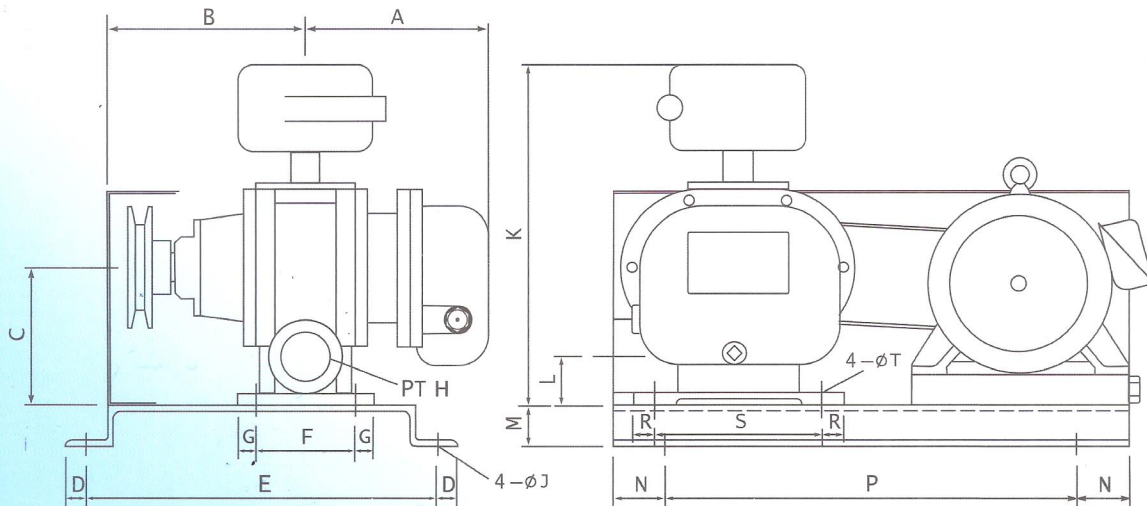




Model	rpm	3000		4000		5000		6000		7000		8000	
		mmAq		mmAq		mmAq		mmAq		mmAq		mmAq	
		m3/h	Kw	m3/h	Kw	m3/h	Kw	m3/h	Kw	m3/h	Kw	m3/h	Kw
LT-040	1650	26	0.42	25	0.54	23	0.65	23	0.75				
	2100	37	0.54	35	0.69	34	0.82	34	0.95				
	2550	47	0.65	46	0.77	45	1.00	44	1.15				
LT-050	1000	58	1.4	49	1.8	42	2.2	37	2.6	32	2.9	28	3.3
	1450	116	2	107	2.6	100	3.2	95	3.7	90	4.2	86	4.7
	1750	154	2.4	145	3.2	138	3.8	133	4.5	128	5	125	5.7
LT-065	1000	133	2.1	124	2.7	116	3.3	108	3.9	102	4.4	96	4.9
	1450	226	3	217	3.9	209	4.8	201	5.6	195	6.4	189	7
	1750	288	3.6	279	4.7	270	5.7	263	6.7	257	7.7	251	8.5
LT-080	1000	206	3.6	187	4.6	171	5.6	156	6.5	142	7.3	131	8
	1450	368	5.3	350	6.7	333	8	318	9.4	305	10.5	293	11.6
	1750	475	6.4	458	8.1	441	9.8	426	11.3	413	12.7	401	14
LT-100	1000	354	5	325	6.5	300	7.8	280	9	258	10.1	240	11.2
	1450	600	7.4	552	9.5	527	11.3	504	13	484	14.1	467	16.2
	1750	732	8.9	703	11.4	678	13.7	655	15.8	636	17.8	618	19.6
LT-125	1050	804	10	760	12.8	722	15.4	686	17.8	654	20	626	22
	1500	1235	14.3	1191	18.3	1153	22	1118	25.3	1085	28.5	1057	31.5
	1650	1378	15.7	1335	20	1297	24	1260	28	1230	32	1200	34.7
LT-150	750	719	9.19	624	11.76	113	14.14	623	16.34	600	18.39	577	20.30
	1200	1274	14.70	1240	18.82	1200	22.62	1180	26.15	1160	29.42	1130	32.47
	1650	1800	20.21	1800	25.88	1760	31.11	1730	35.96	1710	40.46	1680	44.65



**LONGTECH ROOTS SERIES BLOWER**  
**OUTLINE DIMENSIONS**



**LT-40**

UNITS: mm

MODEL	A	B	C	D	E	F	G	H	J	K	L	M	N	P	R	S	T	Wt.(Kg)
LT-40	150	160	120	20	340	80	15	1.5	12	340	40	40	50	400	18	135	10	70

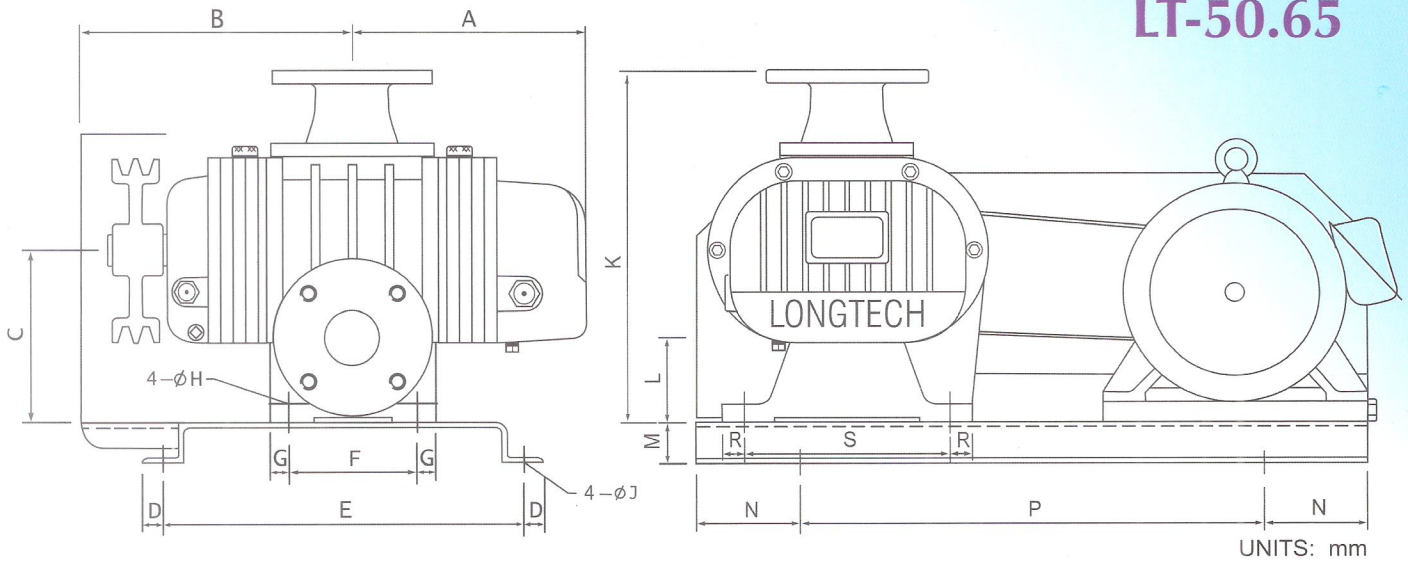
(WT. NOT INCLUDING MOTOR)



## LONGTECH ROOTS SERIES BLOWER

### OUTLINE DIMENSIONS

**LT-50.65**



UNITS: mm

MODEL	A	B	C	D	E	F	G	H	J	K	L	M	N	P	R	S	Wt.(Kg)
LT-50	240	270	165	15	380	125	15	15	15	360	90	40	100	450	15	200	100
LT-65	280	290	165	15	380	200	15	15	15	360	95	40	100	450	15	210	120

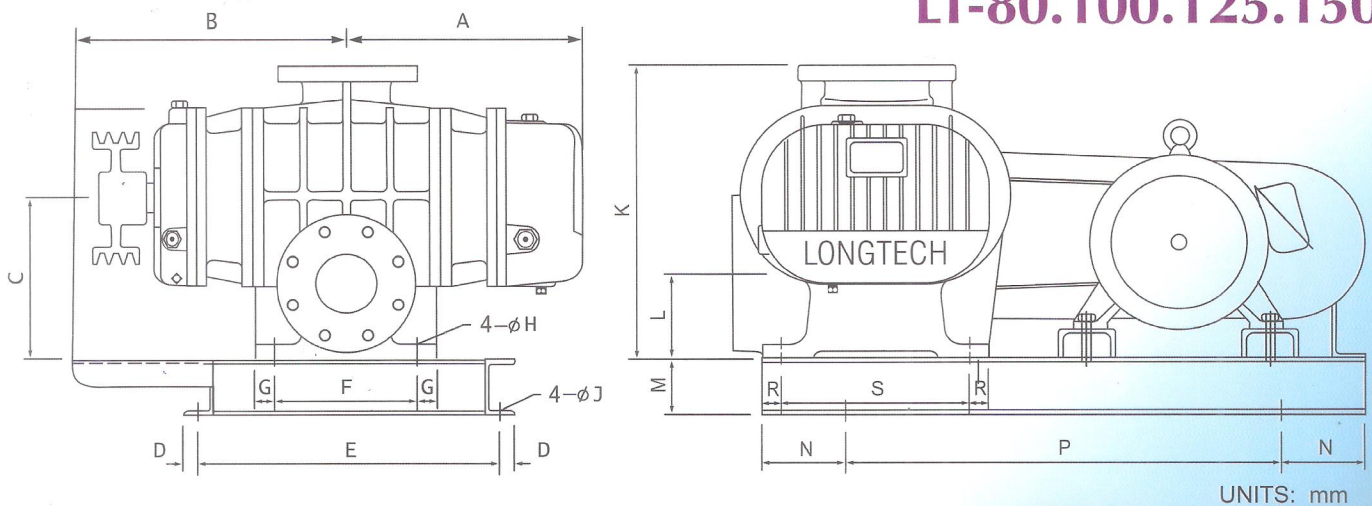
(WT. NOT INCLUDING MOTOR)



## LONGTECH ROOTS SERIES BLOWER

### OUTLINE DIMENSIONS

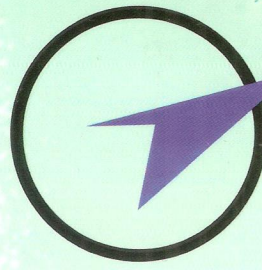
**LT-80.100.125.150**



UNITS: mm

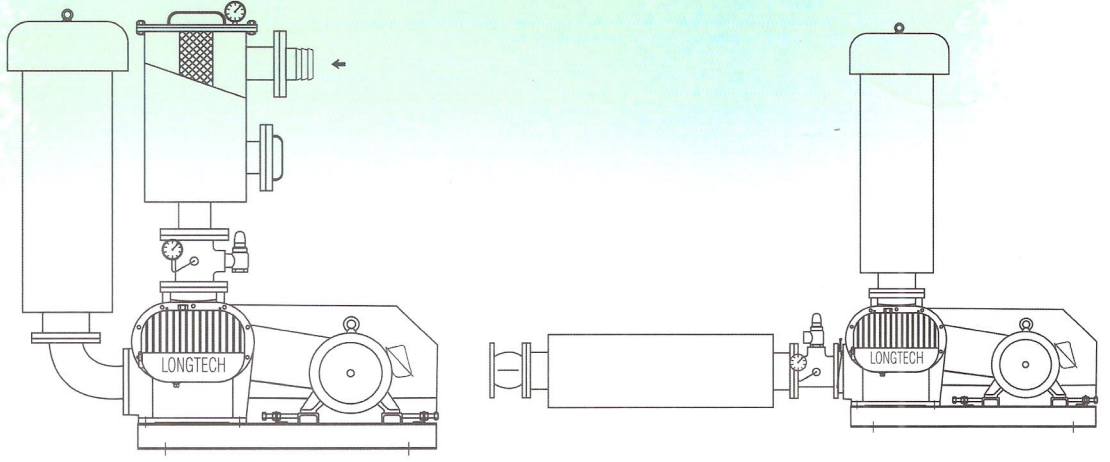
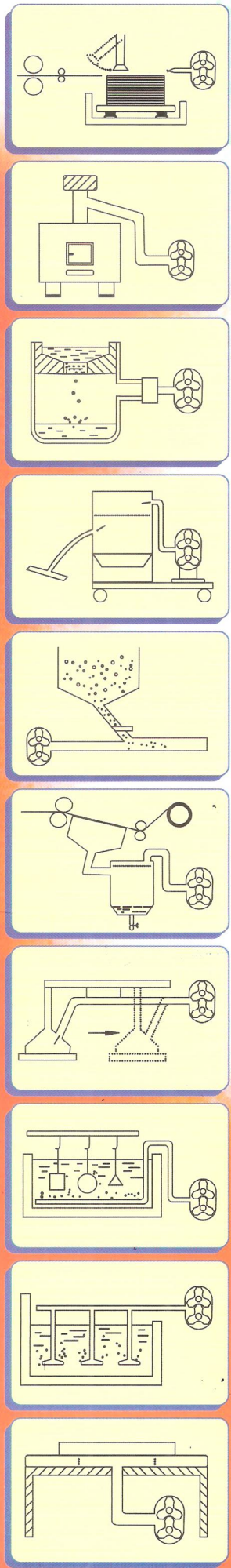
MODEL	A	B	C	D	E	F	G	H	J	K	L	M	N	P	R	S	Wt.(Kg)
LT-80	310	350	220	17.5	400	190	25	17	15	400	102	75	100	650	25	250	200
LT-100	365	420	220	17.5	400	290	25	17	15	400	115	75	100	650	25	250	230
LT-125	440	485	310	22.5	555	320	25	21	19	515	155	100	100	900	25	350	450
LT-150	495	540	310	22.5	555	425	25	21	19	515	155	100	100	900	25	350	500

(WT. NOT INCLUDING MOTOR)

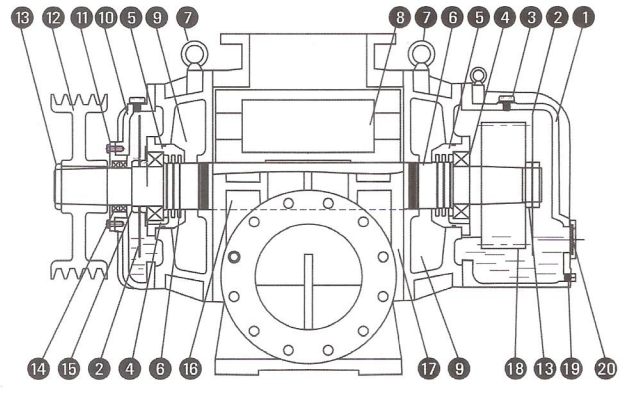


# LONGTECH

## ROOTS BLOWER



### STRUCTURE & MATERIAL LIST



NO.	NAME	MATERIAL	NO.	NAME	MATERIAL
1	GEAR CASE	FC25	11	SEAL CASE	FC25
2	OIL SPLASH	SS41	12	PULLEY	FC25
3	OIL PLUG	S45C	13	NUT	FC25
4	BEARING	SUJ2	14	SEAL	NBR
5	BEARING CASE	FC25	15	NUT	FC25
6	LABYRINTH SEAL	SS41	16	SHAFT	SCM440
7	EYE BOLT	S45C	17	MAIN CASING	FC25
8	ROTOR	FC25	18	SPUR GEAR	SNAM21
9	SIDE COVER	FC25	19	OIL DRAIN	S45C
10	OIL CASE	FC25	20	OIL GAUGE	S45C

