



GREATECH

ROOTS BLOWER



Abnie Paidar Sabz

Model	Rpm	3000 mmAq		4000 mmAq		5000 mmAq		6000 mmAq		7000 mmAq		8000 mmAq	
		m ³ /h	Kw	m ³ /h	Kw	m ³ /h	Kw	m ³ /h	Kw	m ³ /h	Kw	m ³ /h	Kw
G40	1750	59	0.76	57	0.92	55	1.11	53	1.3				
	2050	71	0.89	68	1.08	66	1.30	65	1.53				
	2350	83	1.02	81	1.24	80	1.49	78	1.75				
G50	1000	63	1.39	54	1.80	46	2.18	40	2.55	35	2.91	30	3.25
	1450	126	2.02	116	2.62	109	3.16	103	3.70	98	4.22	95	4.71
	1750	168	2.43	156	3.16	151	3.81	145	4.46	140	5.09	136	5.69
G65	1000	137	2.09	126	2.71	116	3.30	108	3.86	103	4.40	96	4.87
	1450	234	3.02	223	3.92	213	4.78	203	5.59	196	6.38	190	7.07
	1750	309	3.65	297	4.73	286	5.77	276	6.75	268	7.70	261	8.53
G80	1000	202	3.60	186	4.55	171	5.54	159	6.43	147	7.24	137	7.99
	1450	361	5.22	343	6.59	327	8.03	313	9.33	301	10.50	289	11.59
	1750	476	6.30	457	7.96	441	9.69	426	11.25	413	12.67	402	13.99
G100	1000	356	5.10	327	6.36	301	7.75	279	9.00	258	10.18	241	11.21
	1450	586	7.40	557	9.23	531	11.24	508	13.06	489	14.76	471	16.25
	1750	736	8.93	707	11.14	682	13.57	657	15.76	639	17.81	621	19.62
G125	1050	917	11.08	882	14.38	848	16.81	815	19.68	785	22.43	754	24.34
	1350	1215	13.97	1176	18.13	1145	21.20	1112	24.82	1080	28.28	1047	30.69
	1650	1540	16.86	1510	21.88	1480	25.58	1451	29.95	1422	34.13	1395	37.03
G150	1050	1216	14.21	1180	18.43	1146	21.55	1113	25.23	1080	28.76	1049	31.20
	1350	1595	17.91	1564	23.24	1533	27.17	1503	31.82	1474	36.26	1445	39.34
	1650	2003	21.62	1986	28.05	1964	32.80	1945	38.40	1925	43.76	1906	47.48

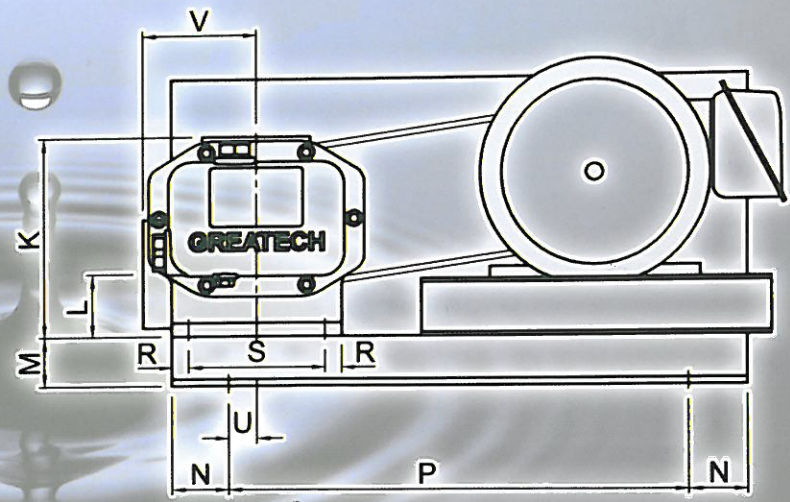
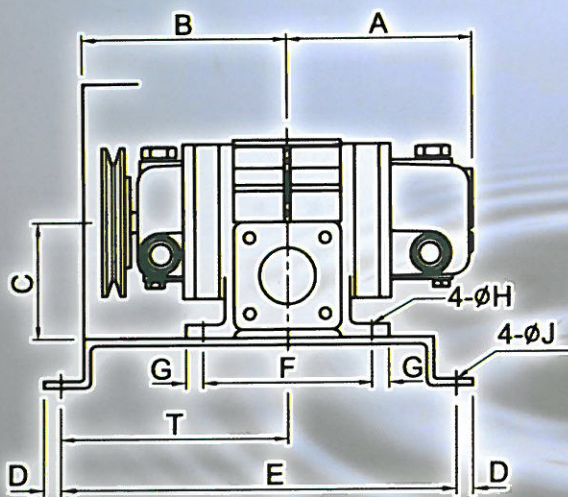


GREATECH

ROOTS BLOWER

G40 MODEL

OUTLINE DIMENSIONS



UNITS : mm

MODEL	A	B	C	D	E	F	G	H	J	K	L	M	N	P	R	S	T	U	V	Wt. (Kg)
G40	175	185	108	15	350	150	15	10	12	180	55	43	50	400	15	120	200	25	100	33

(Wt. not including Motor)



GREATECH

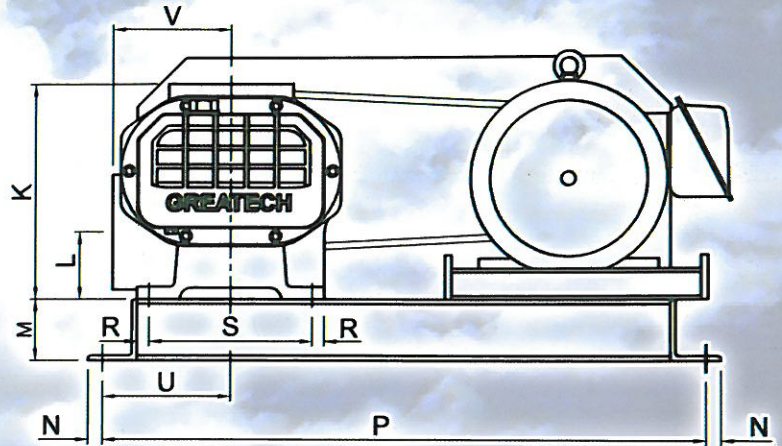
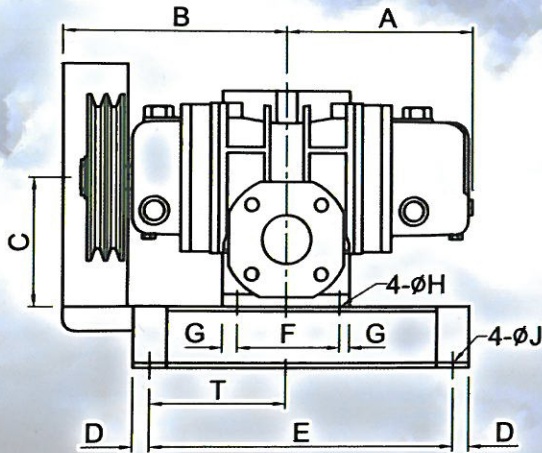
ROOTS BLOWER



Abnjo Paider Sabz

G50~G65 MODELS

OUTLINE DIMENSIONS



UNITS : mm

MODEL	A	B	C	D	E	F	G	H	J	K	L	M	N	P	R	S	T	U	V	Wt. (Kg)
G50	230	270	155	20	370	125	15	15	15	265	80	75	18	734	15	200	165	57	145	82
G65	275	312	160	20	370	210	15	15	15	265	85	75	18	734	15	200	207	57	145	98

(Wt. not including Motor)

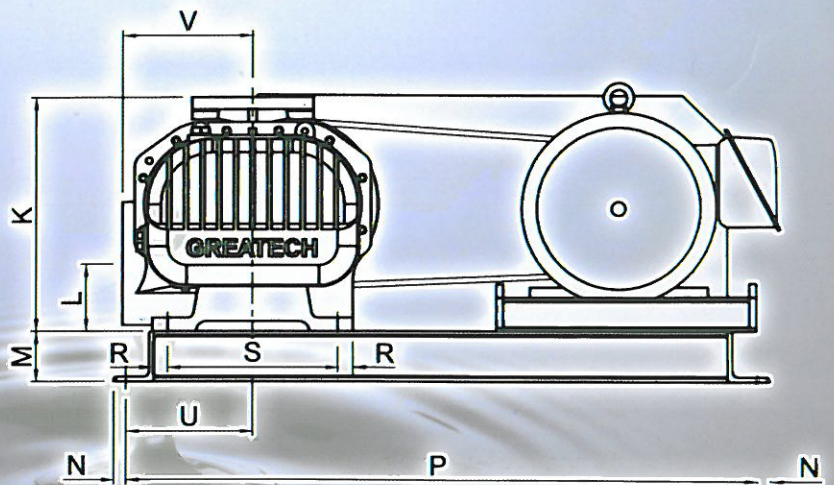
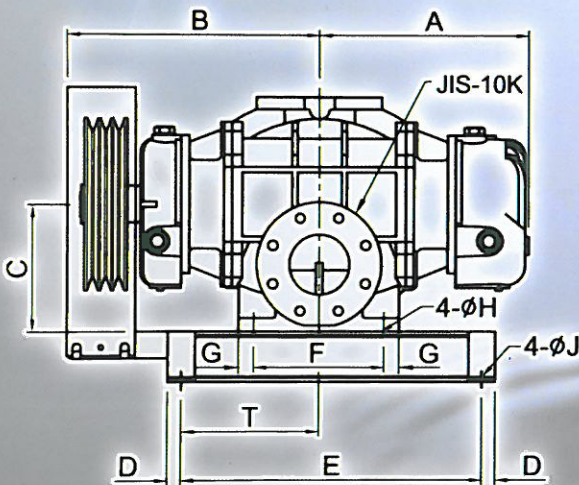


GREATECH

ROOTS BLOWER

G80~G150 MODELS

OUTLINE DIMENSIONS



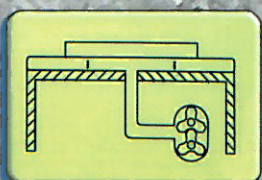
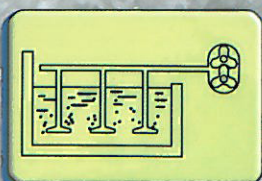
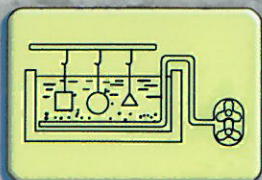
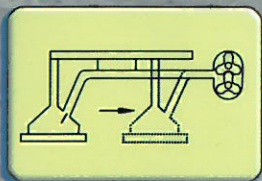
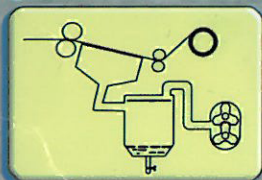
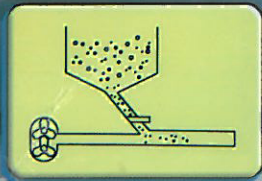
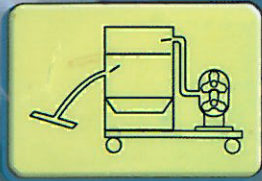
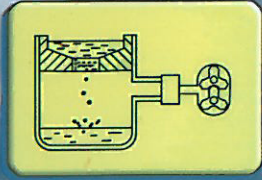
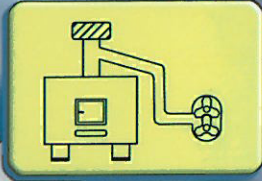
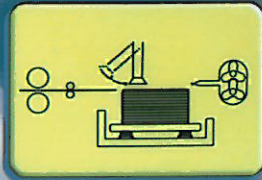
UNITS : mm

MODEL	A	B	C	D	E	F	G	H	J	K	L	M	N	P	R	S	T	U	V	Wt. (Kg)
G80	315	375	190	20	450	190	25	19	15	350	100	75	18	934	25	250	205	190	195	163
G100	367	422	210	20	450	290	25	19	15	370	115	75	18	934	25	250	255	190	195	181
G125	427	472	255	25	602	320	25	19	19	465	137	100	20	1190	25	350	280	240	245	329
G150	482	525	285	25	605	425	25	19	19	495	150	100	20	1190	25	350	333	245	245	386

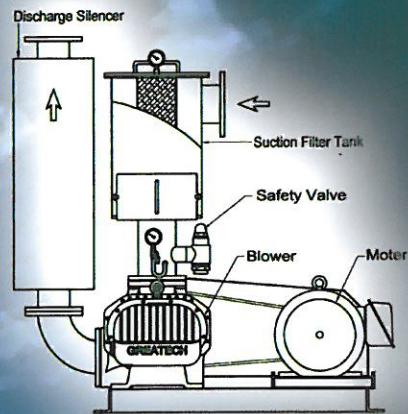
(Wt. not including Motor)



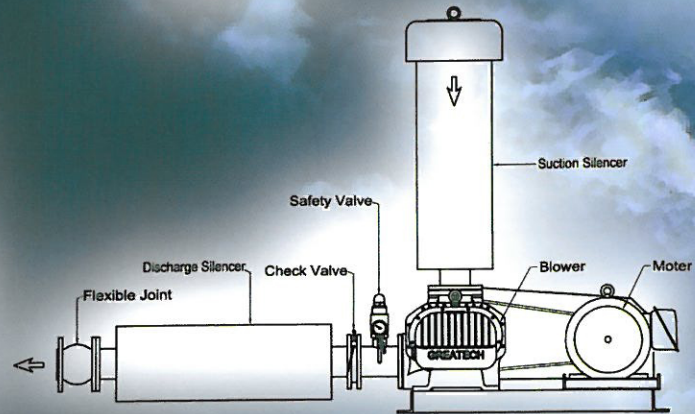
GREATECH ROOTS BLOWER



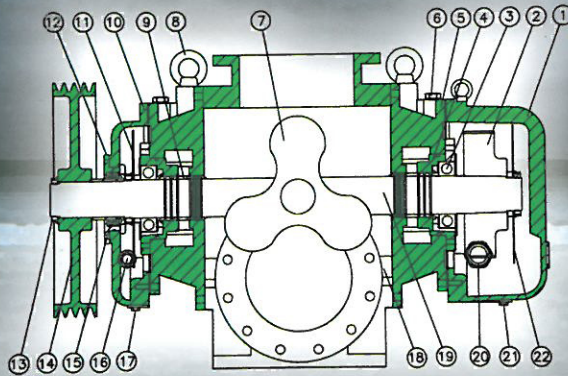
Vacuum Type



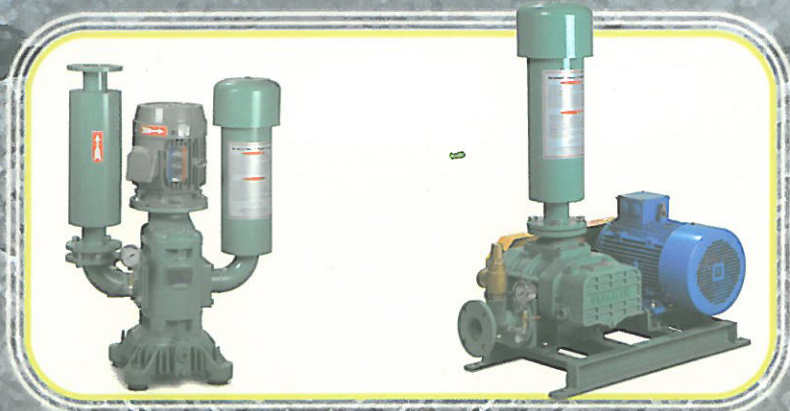
Pressure Type



STRUCTURE & MATERIAL LIST



NO.	Item	Material	NO.	Item	Material
1	Gear box	FC250	12	Oil seal case	FC250
2	Gear	SCM415	13	Screw nut	SS400
3	Bearing	SUJ2	14	Pulley	FC250
4	Bearing case	FC250	15	Oil seal	NBR
5	Side cover	FC250	16	Oil gauge	S45C
6	Oil plug	S45C	17	Oil drainer	S45C
7	Impeller	FC250	18	Cylinder	FC250
8	Eye bolt	S45C	19	Shaft	SCM440
9	Shaft seal	S45C	20	Oil gauge	S45C
10	Oil box	FC250	21	Oil drainer	S45C
11	Oil splash	SS400	22	Oil splash	SS400

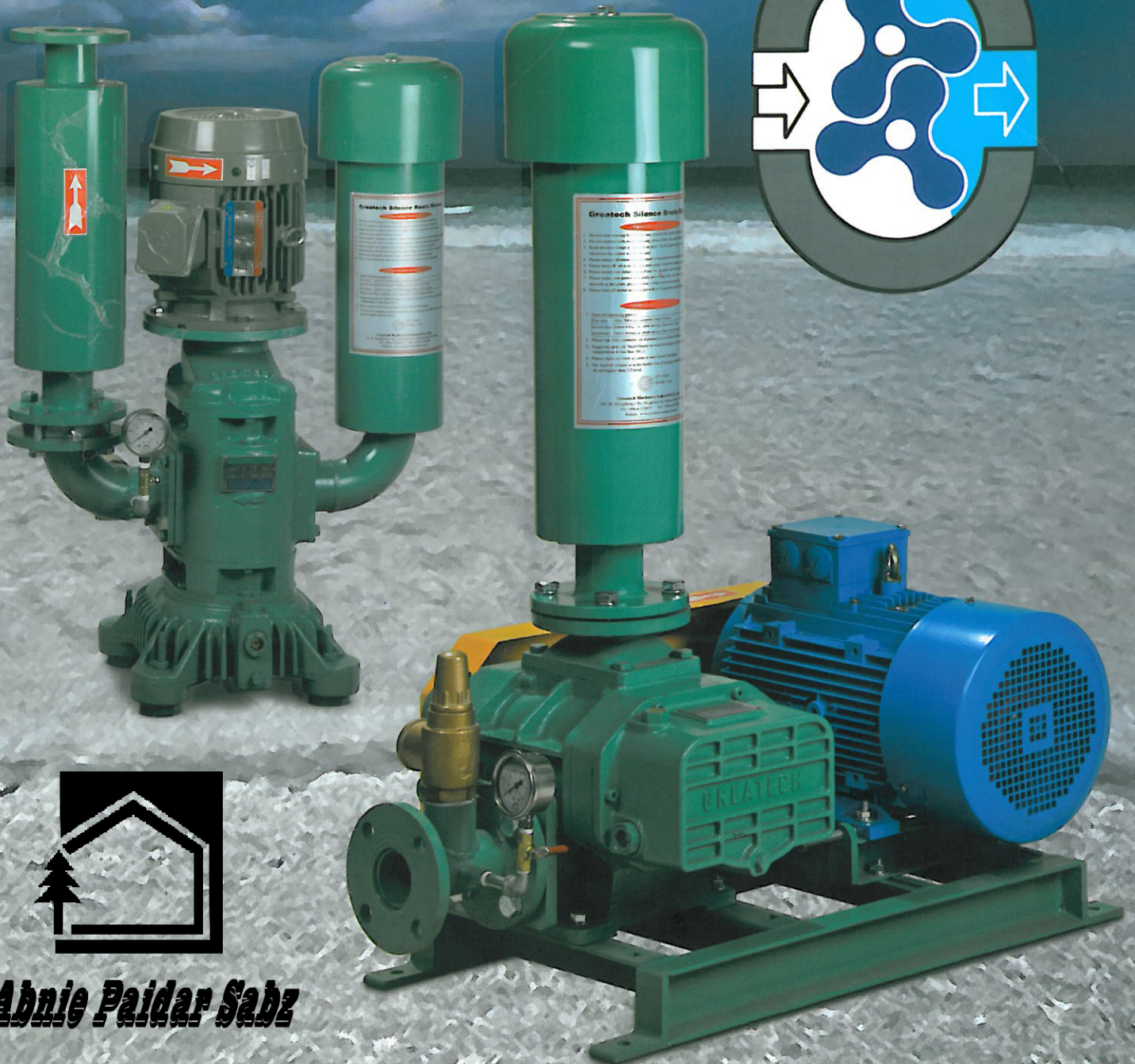
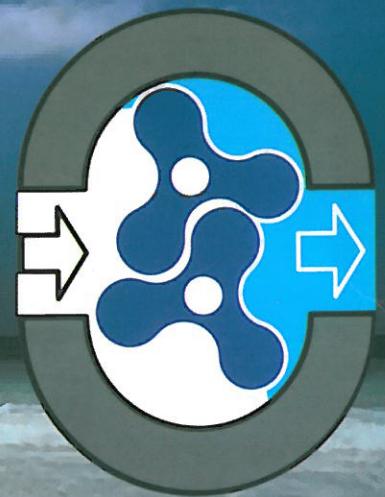




GREATECH

ROOTS BLOWER

Three Lobes
Blower



Abnie Paidar Sabz