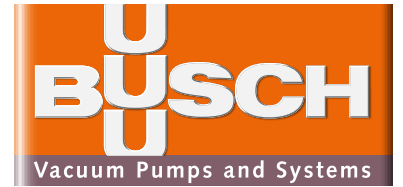


# Tyr

Rotary Lobe Blowers  
WT 0100–0730 BV/BP



- › **Quiet:**  
due to an innovative acoustic insulation concept
- › **Compact:**  
minimized footprint, small surface area
- › **Efficient:**  
low energy consumption, minimized operating costs, minimal maintenance
- › **Reliable:**  
robust construction, reliable operation
- › **Flexible:**  
application-oriented

Tyr WT rotary lobe blowers were developed by Busch as modern high-performance vacuum and overpressure generators. They have established new standards of noise levels, compactness and efficiency.

The robust construction and outstanding manufacturing quality of Tyr WT rotary lobe blowers ensure outstanding reliability and durability. Constant pressure differentials in both vacuum and overpressure applications at medium and high pumping speeds are guaranteed.

Tyr WT rotary lobe blowers are available as vacuum or overpressure generators, with conversion possible at any time. Six sizes are available, allowing the optimal configuration to match every application.

Tyr WT rotary lobe blowers achieve high levels of energy efficiency due to their IE3

class motors and flow-optimized blower stages. The innovative acoustic insulation concept with integrated inlet and discharge silencers reduces noise emissions by up to five dB(A) in comparison to blowers of similar output, depending on the particular version. The optional acoustic enclosure can reduce noise levels by an additional 10 to 20 dB(A).

Due to the contact-free operating principle, no fluids are required in the compression chamber. Operating pressure, filter condition and the gear oil level are displayed by instruments mounted on the unit housing or acoustic enclosure. The tension of the drive belt between the motor and blower stage is maintained automatically, thus eliminating almost entirely the inconvenient task of adjusting V-belts. Annual servicing is confined to the simple inspection of the V-belt tension and replacement of the filter and gear oil.

**Tyr – powerful and quiet.  
The modern vacuum and  
overpressure generator.**



Tyr WT 0150 BP / BV

# Tyr

## Rotary Lobe Blowers WT 0100–0730 BV/BP



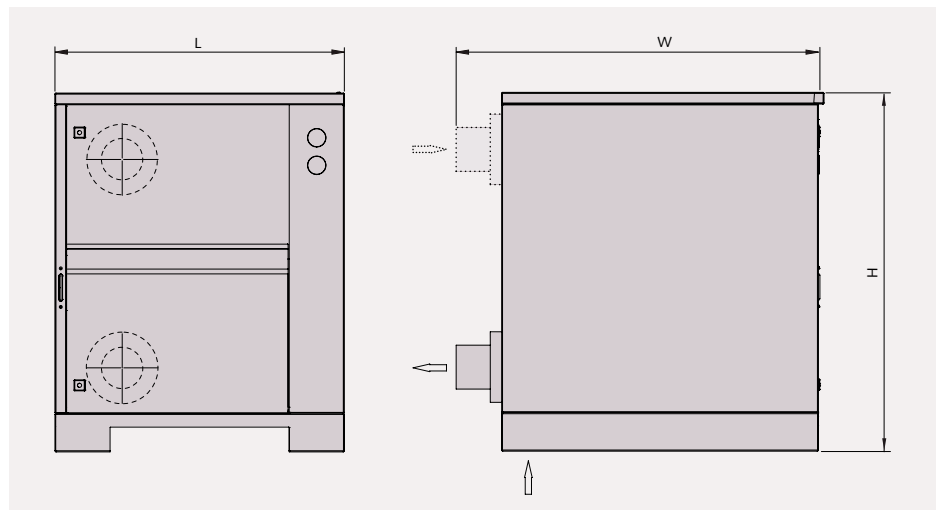
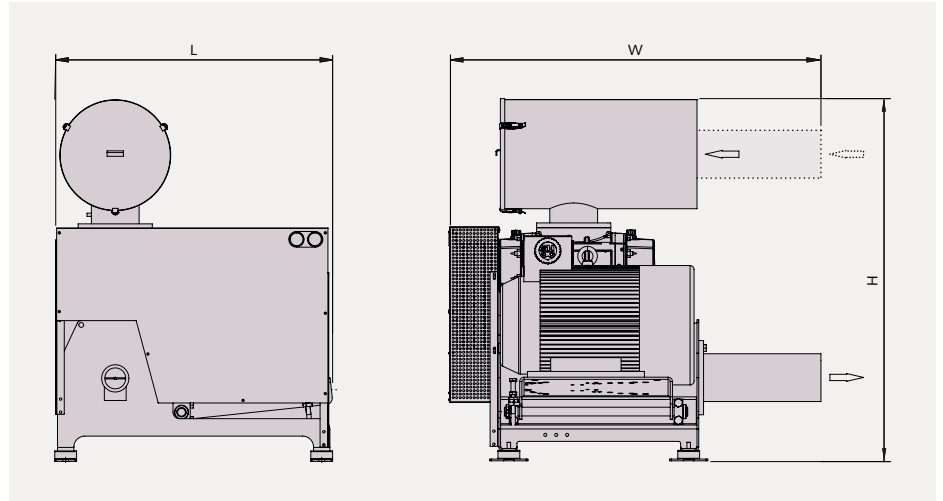
### Technical specifications

Three-bladed Tyr WT rotary lobe blowers for vacuum and overpressure operate according to the proven Roots principle: Two rotary lobes are mounted in parallel within the unit housing and operate in opposite directions. The rotation of the lobes traps the pumped medium and transports it to the outlet, where it is discharged. A silencer with an integrated filter is fitted to the inlet side. After compression, the pumped medium is discharged through an outlet silencer. The blower is driven by an electric motor with V-belt transmission, which allows the blower speed to be regulated precisely. The high quality of the V-belts makes this the ideal form of power transmission. Standard motors can be fitted with a speed control unit for optimal response to changing demand.

### Accessories / Technical options

- C4 corrosion protection version
- Anti-corrosion coating for blower stage
- Water cooling
- Acoustic enclosure
- Pulsation silencer without absorption material
- Flame arresters

Tyr WT 0100–0730 BV/BP



..... Vacuum version

Technical data		WT 0100 BV/BP	WT 0150 BV/BP	WT 0280 BV/BP	WT 0390 BV/BP	WT 0600 BV/BP	WT 0730 BV/BP
Volume flow	m <sup>3</sup> /min	2.5–10.0	3.7–15.0	5.1–28.0	7.1–39.0	12.0–60.0	15.4–73.0
Max. pressure differential, vacuum version (BV)	hPa (mbar)	-500	-500	-500	-500	-500	-500
Max. pressure differential, overpressure version (BP)	hPa (mbar)	+1000	+1000	+1000	+1000	+1000	+1000
Nominal motor rating	kW	1.5–22.0	3.0–37.0	3.0–55.0	3.0–55.0	11.0–90.0	11.0–90.0
Speed of blower	min <sup>-1</sup>	1150–4700	1150–4700	850–4700	850–4700	750–4050	750–3550
Weight approx. (without / with acoustic enclosure)	kg	180/295	197/312	346/535	372/561	711 / 1014	750/1053
Dimensions (without / with acoustic enclosure, L x W x H)	mm	690x1080x1028 / 800x1157x1082	690x1080x1028 / 800x1157x1082	920x1218x1251 / 1050x1269x1302	920x1218x1251 / 1050x1269x1302	1250x1705x1660 / 1450x1760x1732	1250x1705x1660 / 1450x1760x1732
Gas inlet/outlet	Ø mm	114	114	159	159	219	219

[www.buschvacuum.com](http://www.buschvacuum.com)